

CABLE CLAMP

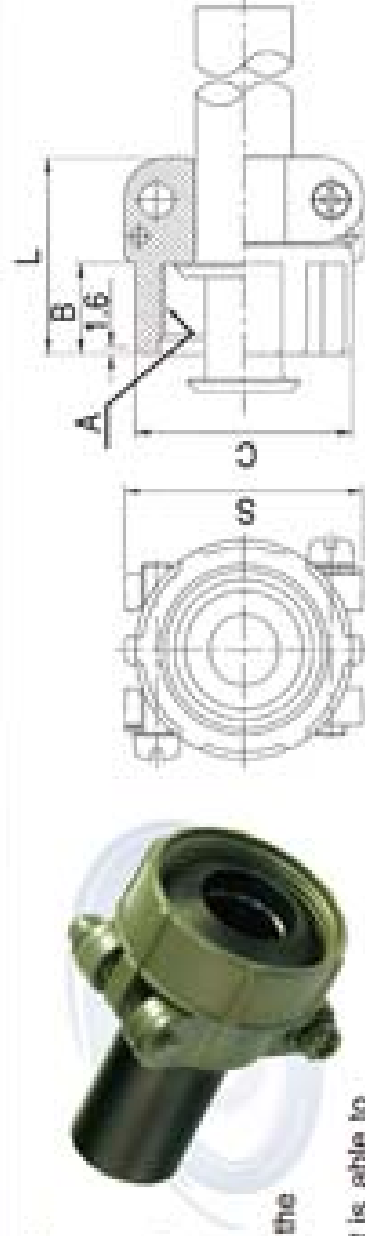
AMS3057-*A

AMS3057-*A type cable clamp is an accessory used for tightening the cables.

It is to be assembled with plug (3101B, 3106B, 3108B) and junction shell.

Clamping shall be based upon the clamp saddle with clipper and it is able to

fix it evenly and accurately.



Item No.	Shell size (ps.1)	Bushing Item AMS3420	Coupling Threads A	B	Max. Tolerable cable Co ± 0.41	Cable Clamp E	F	Length L ± 0.3	Content a
AMS3057-4A	12S	-4	5/8-24UNEF-2B	10.3	20.6	7.9	1.6	20.6	22.2
AMS3057-6A	14S	-6	3/4-20UNEF-2B	10.3	24.6	11.1	2.0	22.2	27.0
AMS3057-8A	16S, 16	-8	7/8-20UNEF-2B	10.3	27.8	14.3	2.8	23.8	29.4
AMS3057-10A	18	-10	1-20UNEF-2B	10.3	30.2	15.9	3.2	23.8	31.8
AMS3057-12A	20, 22	-12	1-3/16-18UNEF-2B	10.3	34.9	19.0	4.0	23.8	37.3
AMS3057-16A	24, 28	-12, -16	1-7/16-18UNEF-2B	10.3	42.1	23.8	4.8	26.2	42.9
AMS3057-20A	32	-16, -20	1-3/4-18UNS-2B	11.9	51.2	31.8	6.4	27.8	51.6
AMS3057-24A	36	-20, -24	2-18UNS-2B	13.5	56.4	34.9	7.5	29.4	57.9
AMS3057-40A	48	-28, -32, -40	3-18UN-2B	16.7	83.3	60.3	11.5	44.4	88.9

RE: SELECTION OF COMMODITY NAME

(a) Please refer to the column of "Suitable shell size". Please select the commodity names suitable for the shell size of the connector. Example: For connector AMS 3106B 18-1P, because it shell size is 18, the commodity name of cable clamp shall be AMS3057-10A.

(b) The maximum size of the cable used in clamping. Please make sure if it is in conformity with the sizes shown in above table. It shall be picked out if it exceeds the sizes as shown in table. Bushing AMS 3057-16-40A is kept inside 2-3 bushing. If it is unable to be put in more, please select the connector of the size above 3.

(c) If the clamp saddle is already lightened but it is still unable to work, please insert the following bushing for using.